

Multifan



Horizontal Circulation Fan

The new generation!



VOSTERMANS
VENTILATION

YOUR SPECIALIST IN AIR

Multifan Horizontal Circulation Fan

The next generation of circulation fans

With the new Multifan Horizontal Circulation Fan, you can create a uniform indoor climate while minimizing energy consumption. The improved fan design offers a number of important advantages. For example, the energy efficiency of the fan has been greatly improved, and it is much quieter. It is also easier to attach poly air tubes to the fan, saving you installation costs and making the fan less expensive to use. Create the ideal growing climate for your livestock or crop, or create a fresh breeze with this compact, powerful fan.



Why choose this fan

- Powerful, quiet fan
- Among the most energy efficient in its class
- Low investment costs
- Easy to install
- Easy to maintain
- Materials resistant to extreme conditions
- Motor has a 3-year guarantee



Applications

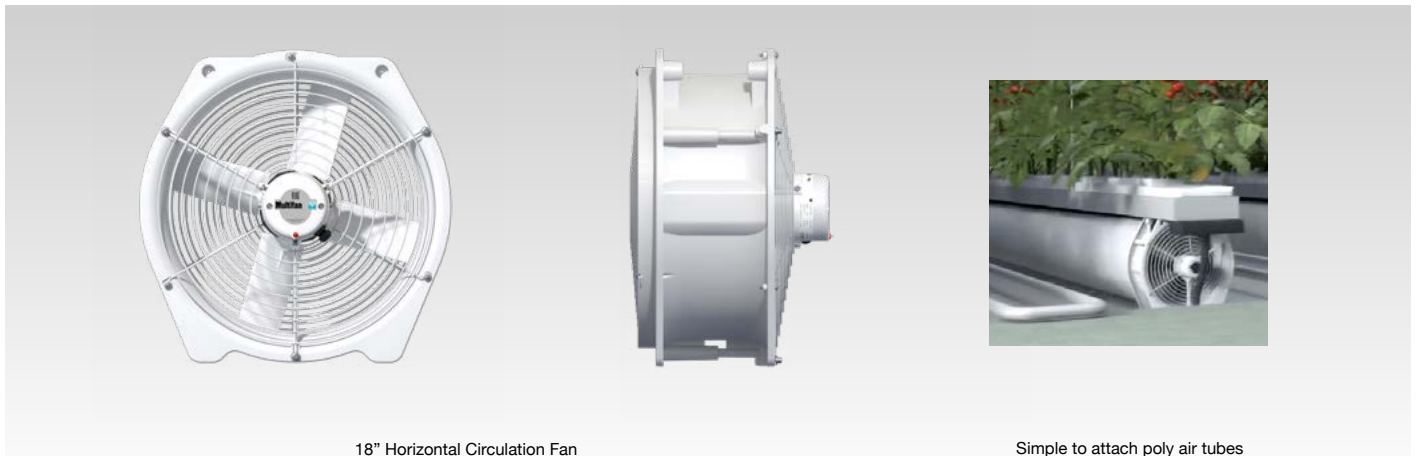
- Greenhouse horticulture
- Agricultural: pigs, poultry, dairy, cattle
- Industrial (indoor and outdoor)

Features

- Available in 3 versions: +/- 3,000, 4,000 and 4,750 CFM
- Motor insulation class F.
- IP55 motor (water-resistant and dust-resistant)
- Energy efficient, up to 23.1 CFM/W
- Low noise models as low as 48 dB(A)
- Compatible with most 20.5" diameter poly air tubes
- Built-in thermal protection for single-phase motors
- Power cord for 1~ 115V models
- UL Listed

Options available

- Power cord available for 1~ 230V models
- Built-in thermal detectors for 3-phase motors



18" Horizontal Circulation Fan

Simple to attach poly air tubes



Technical data single-phase

Article	ø (inch)	Power supply			(n) RPM	P _{in} (W)	I _{nom} (A)	I _{max} (A)	Q _v (CFM)	Throw (ft) *	SFP @0Pa (CFM/W)	dB(A) **	Control options ***
		~	V	Hz									
T6E45NBM81190	18	1	115	60	1,120	116	1	1.1	2,675	148	23.1	48	E/T
T6E45NAM81100	18	1	230	60	1,120	116	0.5	0.6	2,675	148	23.1	48	E/T
T6E45ODM81190	18	1	120	60	1,155	220	2	2.7	3,270	160	14.9	50	E/T
T6E45OCM81100	18	1	240	60	1,150	190	0.9	1.3	3,270	160	17.2	50	E/T
T4E45OBM81190	18	1	115	60	1,720	300	2.6	4.1	3,975	190	13.3	58	E/T
T4E45OAM81100	18	1	230	60	1,725	300	1.3	2.1	4,000	190	13.4	58	E/T
T4E45PBM81190	18	1	115	60	1,645	420	3.7	5.3	4,525	206	10.7	59	E/T
T4E45PAM81100	18	1	230	60	1,645	420	1.9	2.7	4,600	206	10.9	59	E/T

Technical data three-phase

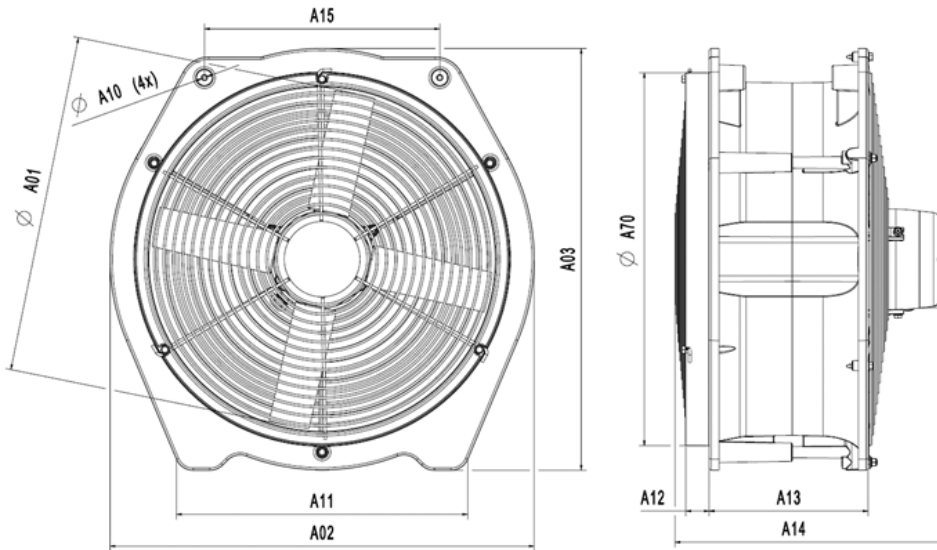
Article	ø (inch)	Power supply			(n) RPM	P _{in} (W)	I _{nom} (A)	I _{max} (A)	Q _v (CFM)	Throw (ft) *	SFP @0Pa (CFM/W)	dB(A) **	Control options ***
		~	V	Hz									
T6D45OBM81100	18	3	230	60	1,140	170	0.8	0.8	3,240	160	19.1	50	T/F
T6D45OAM81100	18	3	460	60	1,155	180	0.5	0.5	3,270	160	18.2	50	T/F
T4D45OBM81100	18	3	230	60	1,735	280	1.2	1.6	4,000	190	14.2	58	T/F
T4D45OAM81100	18	3	460	60	1,745	300	0.7	0.9	4,025	190	13.5	58	T/F
T4D45PBM81100	18	3	230	60	1,680	430	1.5	1.9	4,675	213	11.0	59	T/F
T4D45PAM81100	18	3	460	60	1,715	450	0.9	1.1	4,775	213	10.7	59	T/F

* Maximum recommended throw (ft) based on field tests.

** Sound pressure level calculated at 23 feet free blowing distance.

*** Controllable by Transformer (T), Frequency Controllable (F), Controllable by Triac (E)

Dimensions (inch)



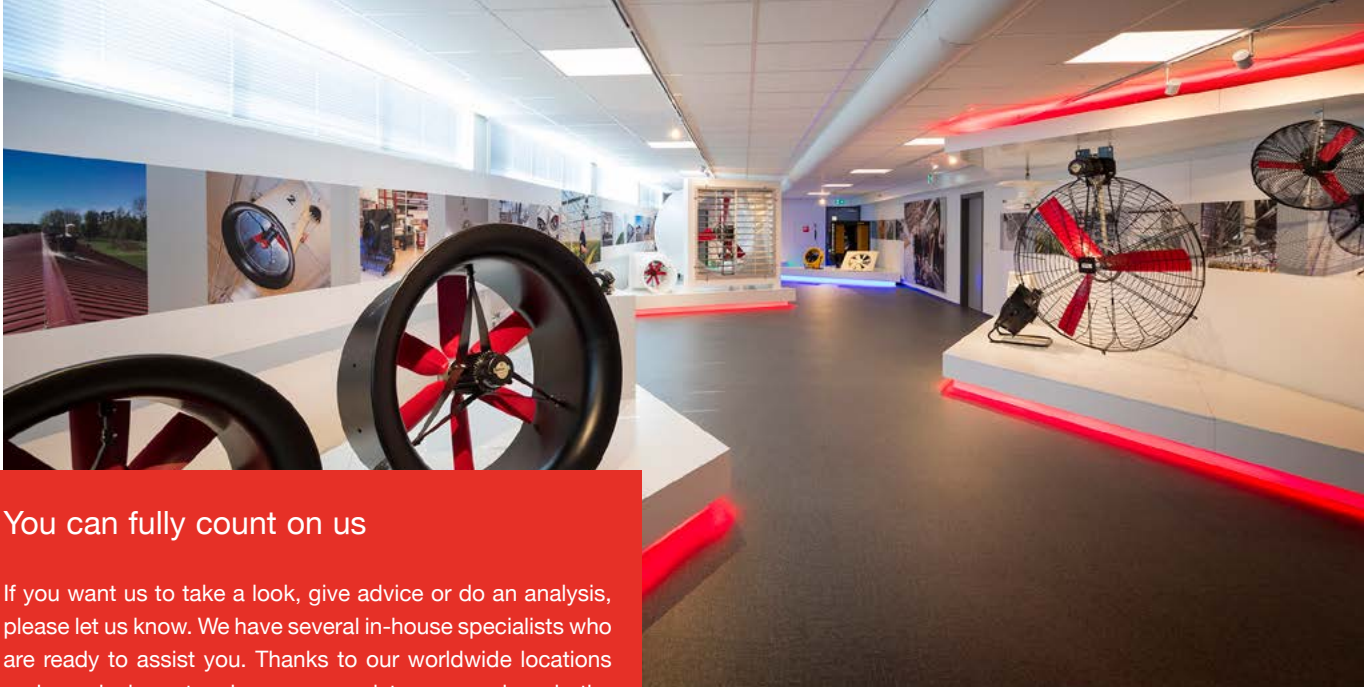
ø (Inch)	A01	A02	A03	A10	A11	A12	A13	A14	A15	A70
18	18.6	23.1	23.1	0.3	15.9	1.3	8.7	14.7	12.8	20.5



Circulation fans

Our range of circulation fans offers a solution for every indoor climate challenge. We offer fans that are specifically designed to evenly distribute air in an energy-efficient way. Vertical or horizontal airflows improve temperature and humidity differences, creating a uniform

climate. In addition, we offer circulation fans that ensure that animals or people are kept cool. A solution that can help prevent heat stress and keep animals healthy.



You can fully count on us

If you want us to take a look, give advice or do an analysis, please let us know. We have several in-house specialists who are ready to assist you. Thanks to our worldwide locations and our dealer network, we can assist you anywhere in the world. Are you looking for a dealer in your area? Let us know and we will send the location of our nearest dealer right to your mailbox!

Why choose Vostermans Ventilation:

LOYAL TO YOU

We care for your specific needs based on our long expertise. In close cooperation with you we secure your business outcomes.

RELIABLE

Since our foundation in the Netherlands in 1952, we maintain our reputation as reliable partner. Our carefully selected global network of independent distributors strive to deliver you dedicated service and expertise.

FUTURE PROOF

Our future proof approach, which combines energy efficiency solutions with robust quality and rigorous testing, is based on a genuine commitment to serve as a trusted partner.

Vostermans Ventilation is a global developer and manufacturer of sustainable axial fans for the agricultural and industrial market. Sustainability is key for Vostermans. Their premium brandlines Multifan and EMI are showcasing the drive for advanced energy efficient fans. The company applies continuous innovation and research in their own motor production facility and in house state of the art R&D department. Vostermans Ventilation, part of Vostermans Companies founded in 1952, is based in Venlo, the Netherlands and operates in USA, China and Malaysia.



YOUR SPECIALIST IN AIR

All rights reserved. Vostermans Companies is not responsible for inaccurate or incomplete data. In case of any questions and / or remarks please contact ventilation@vostermans.com. Subject to alterations 11/2023

Venlo - The Netherlands
Tel. +31 (0)77 389 32 32
ventilation@vostermans.com

Bloomington - USA
Tel. +1 309 827-9798
ventilation@vostermansusa.com

Tmn Klang Jaya - Malaysia
Tel. +60 (0)3 3324 3638
ventilation@vostermansasia.com

Shanghai - China
Tel. +86 21 5290 2889
ventilation@vostermanschina.com