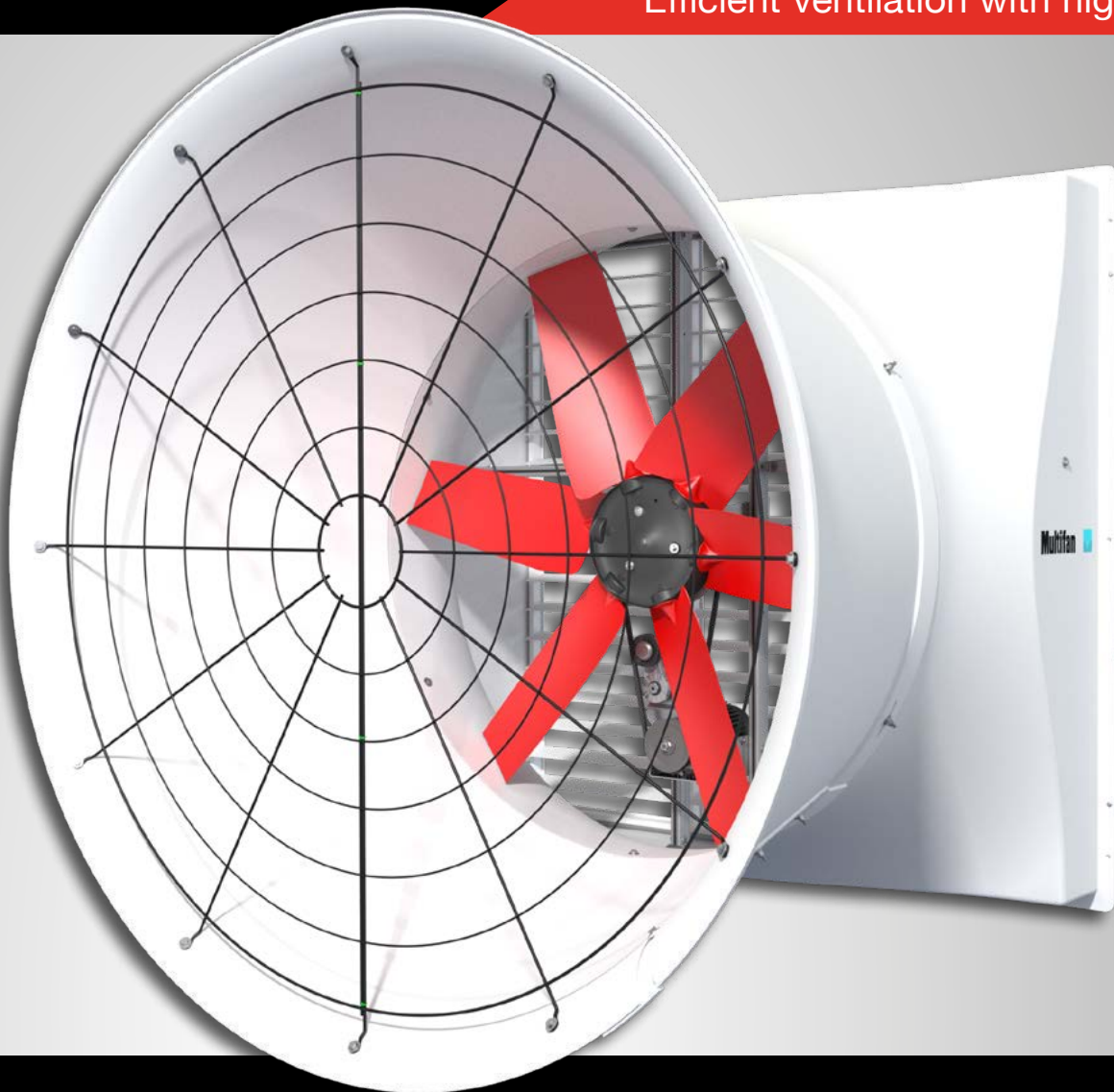


Multifan



Fiberglass Cone Fans

Efficient ventilation with high air yields



VOSTERMANS
VENTILATION

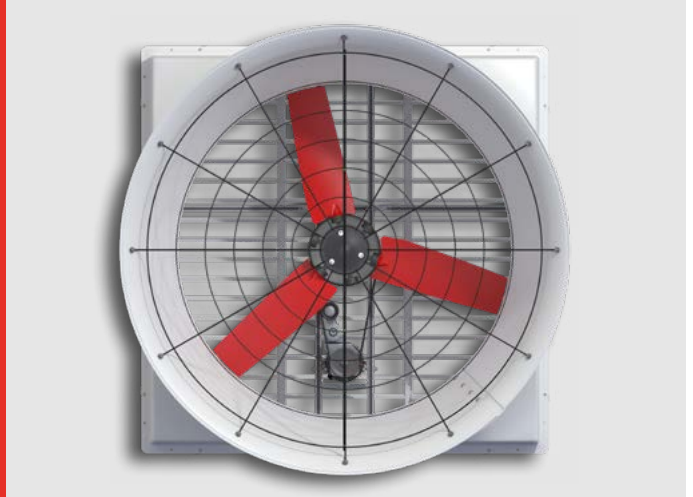
YOUR SPECIALIST IN AIR

Multifan Fiberglass Cone Fans

Efficient ventilation with high air yields

Thanks to their aerodynamic design, Multifan Fiberglass Cone Fans are among the most energy-efficient fans available worldwide. On top of that, they are resistant to some of the most aggressive climates, thanks to the use of high-tech engineering plastic parts.

This makes the Fiberglass Cone Fan the cream of the crop in many respects. This type of fan is often used in large buildings, such as pig, poultry and dairy barns, to efficiently refresh the air. These fans can also be used in combination with light traps or air filters. The 50" and 54" Fiberglass Cone Fans are optionally available with the Vplus technology for more energy savings.



Why choose this fan

- Materials resistant to extreme environments
- Available in energy efficient IE2, IE3 and IE4 fan motors
- Extremely durable fan with a long lifetime
- Aerodynamic design for optimal performance
- 3-year warranty on the motor



Features

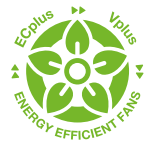
- Available range: 18, 24, 36, 50 and 54 inch
- High level of air movement: up to 39,700 cfm at 0 SP.
- Pressure range up to 0.5 SP.
- IP55 motor (water and dust resistant)
- Belt drive for 50 and 54 inch fans
- Direct Drive for 18, 24, 36 and optional 54 inch fans
- Standard with a PVC shutter

Applications

- Agricultural: Pigs, Poultry and Dairy
- Horticulture: Greenhouse

Options available

- Vplus technology for more energy savings
- 54 inch Fiberglass Cone Fan Vplus available with Belt Drive or Direct Drive



18, 24, 36, 50 and 54" Fiberglass Cone Fans

Fiberglass Cone Fan
Vplus Direct Drive

Save more energy with
Vplus technology



Technical data single-phase

Article **	ø (inch)	Power supply			(n) RPM	P _{in} (W)	I _{nom} (A)	Q _v (cfm) ***						cfm/watt @0SP	Control options *
		~	V	Hz				0"H ₂ O	0.05"H ₂ O	0.1"H ₂ O	0.15"H ₂ O	0.2"H ₂ O	0.3"H ₂ O		
C4E45K1	18	1	240	60	1,700	290	1.4	4,210	4,080	3,940	3,790	3,630	2,320	14.5	E / T
C6E63K2	24	1	230	60	1,135	390	1.8	7,480	7,090	6,730	6,380	6,010	-	19.2	E / T
C8E92K1	36	1	230	60	845	900	4.6	13,710	13,060	12,380	11,680	10,730	-	15.2	-
C4E13K1	50	1	230	60	620	1,800	8.3	31,020	29,910	28,680	27,350	25,940	15,920	17.2	-
C4E14K1	54	1	230	60	510	1,050	4.8	29,720	28,120	26,490	24,720	22,360	-	28.3	-
C4E14K3	54	1	230	60	555	1,600	7.2	34,490	23,880	31,440	29,830	27,950	-	21.4	-
C4E14K4	54	1	230	60	580	1,750	8.2	31,610	30,680	29,820	28,920	27,980	21,200	18.1	-

Vplus technology

C4E13P3	50	1	200 / 230	50 / 60	640	1,650	11.5	33,020	31,900	30,800	29,800	28,400	15,500	20.0	F
Performance at 80% RPM					490	800	6.1	25,490	24,000	22,600	20,900	18,400	-	31.9	
C4E14P3	54	1	200 / 230	50 / 60	600	1,550	10.5	37,610	36,100	34,800	33,400	31,800	28,400	24.3	F
Performance at 80% RPM					490	900	6.7	31,020	29,400	27,800	25,800	23,000	-	34.5	

Vplus technology Direct Drive

C10E14PA	54	1	200 / 230	50 / 60	540	1,020	7.2	31,300	30,000	28,600	27,000	25,200	20,100	30.6	F
Performance at 80% RPM					432	553	4.3	25,300	23,600	21,700	19,100	15,200	-	45.8	

Technical data three-phase

Article **	ø (inch)	Power supply			(n) RPM	P _{in} (W)	I _{nom} (A)		Q _v (cfm) ***						cfm/watt @0SP	Control options *
		~	V (Δ / Y)	Hz			Δ	Y	0"H ₂ O	0.05"H ₂ O	0.1"H ₂ O	0.15"H ₂ O	0.2"H ₂ O	0.3"H ₂ O		
C4D45A0	18	3	230 / 400	50	1,460	280	1.8	1.0	4,180	4,000	3,770	3,530	3,310	890	14.9	T
C6D63A2	24	3	230 / 400	50	950	430	1.9	1.1	7,830	7,370	6,870	6,350	5,720	-	18.3	T
C6D63K0	24	3	240 / 420	60	1,120	490	2.0	1.2	8,180	7,780	7,380	6,980	6,980	2,950	16.7	T
C6D92A0	36	3	230 / 400	50	895	740	2.7	1.6	12,830	12,170	11,470	10,850	9,950	4,000	17.3	T
C8D92K0	36	3	240 / 420	60	815	700	3.6	2.1	12,540	11,810	11,030	10,180	-	-	17.9	T
C4D13A1	50	3	230 / 400	50	630	1,750	5.8	3.4	31,430	30,240	29,000	27,720	26,350	16,560	18.0	-
C4D13K1	50	3	230 / 400	60	635	1,350	5.3	3.1	31,610	30,450	29,340	28,030	26,600	17,350	23.4	-
C4D14A1	54	3	230 / 400	50	560	1,050	4.0	2.3	29,430	28,030	26,560	24,970	23,200	-	27.5	-
C4D14A3	54	3	230 / 400	50	555	1,500	5.3	3.1	35,320	33,820	32,290	30,610	28,750	-	23.5	-
C4D14A4	54	3	230 / 400	50	575	1,700	7.5	4.4	31,310	30,370	29,490	28,660	27,700	20,380	18.4	-
C4D14K3	54	3	240 / 420	60	555	1,500	4.7	2.7	34,780	33,240	31,720	30,150	28,430	-	23.1	-

Vplus technology

C4D13P3	50	3	400 / 480	50 / 60	640	1,600	-	2.2	32,780	31,800	30,800	29,600	28,400	17,200	20.5	F
Performance at 80% RPM					505	840	-	1.2	26,310	25,000	23,500	21,800	19,400	-	31.3	
C4D14P3	54	3	400 / 480	50 / 60	600	1,500	-	2.1	37,490	36,000	34,500	33,100	31,700	28,400	25.0	F
Performance at 80% RPM					480	830	-	1.2	30,310	28,500	26,700	24,700	20,900	-	36.5	

Vplus technology Direct Drive

C10D14PA	54	3	400 / 480	50 / 60	540	1,015	-	1.4	31,300	30,100	28,800	27,200	25,400	20,600	30.8	F
Performance at 80% RPM					431	551	-	0.8	25,500	23,800	21,800	19,200	15,300	-	46.3	
C10D14PK	54	3	400 / 480	50 / 60	600	1,900	-	2.6	39,700	38,300	37,000	35,700	34,000	29,800	20.9	F
Performance at 80% RPM					478	1,028	-	1.4	32,200	30,300	28,500	26,300	23,900	-	31.3	

* Transformer Voltage Control (T), Frequency Control (F), Electronic / Triac / Solid State Voltage Control (E).

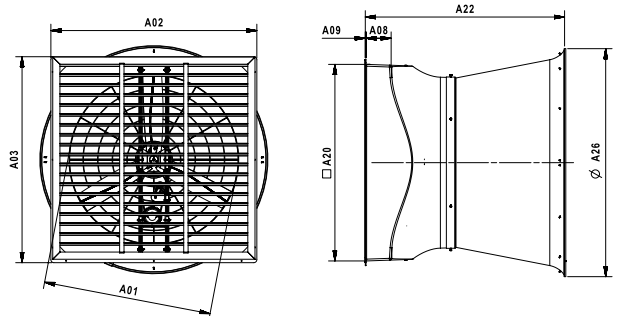
** This is a small selection from our extensive range. For other product configurations, please contact our customer support team.

*** Accessories can influence the performances. The displayed data is based on an aluminum shutter.

Dimensions (inch)

ø (inch)	A01	A02	A03	A08	A09	A20	A22	A26*	Recommended wall opening
18	17 3/4	27 1/4	27 1/4	7 3/4	3/8	23 1/2	31	25 1/4	24 1/2 x 24 1/2
24	25 1/4	34 1/2	34 1/2	7 2/4	5/16	31	36 1/4	35 3/4	32 x 32
36	36	49	49	7 1/4	5/16	45 1/2	48 3/4	50 1/2	46 x 46
50	50 1/2	60 1/4	60 1/4	7	6/16	56 1/2	63	69 1/2	57 1/2 x 57 1/2
54	54	67 1/2	67 1/2	7	6/16	64	65	73 3/4	64 1/2 x 64 1/2

* Minimum Fan center on center spacing

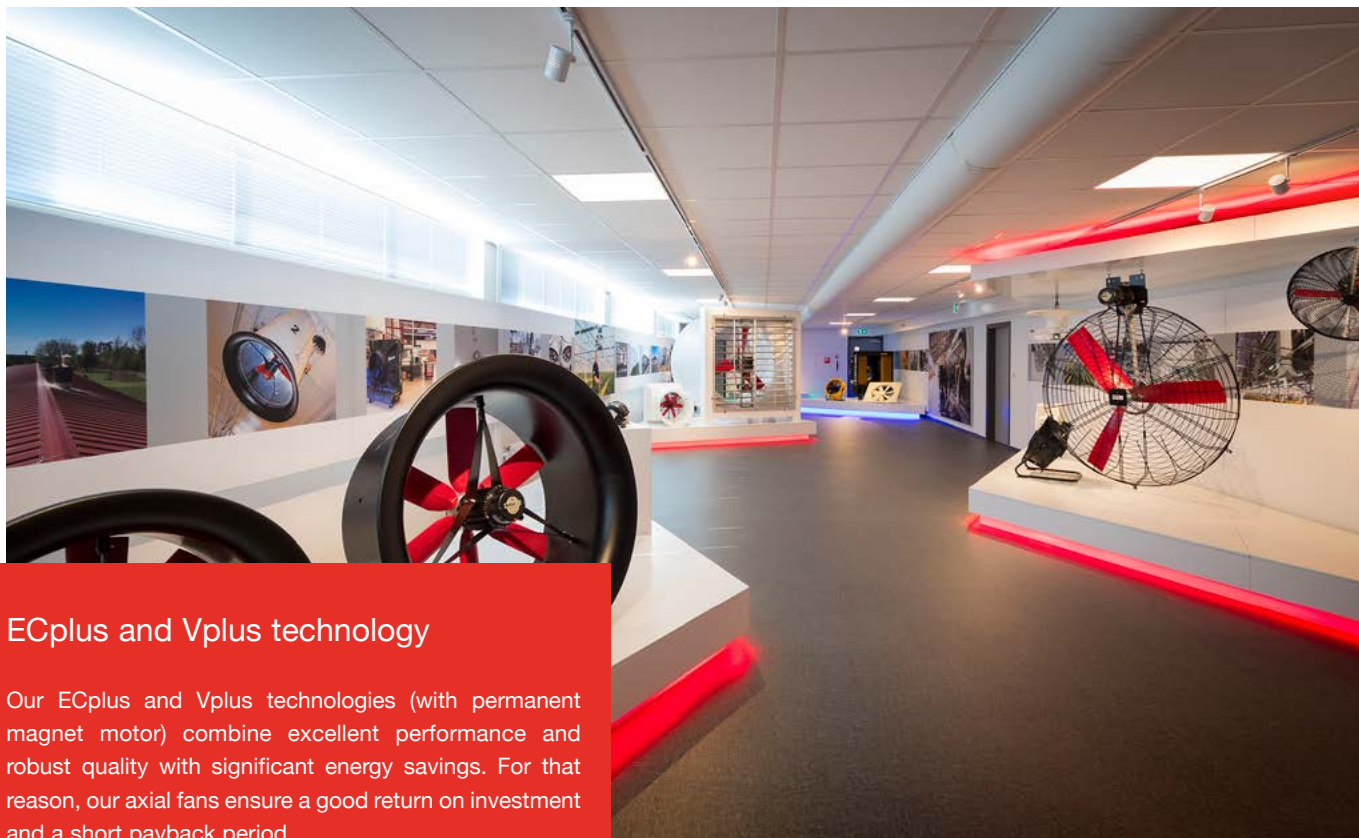




Save more energy

Our standard fans are also available in extra an energy-efficient variant. With the help of the MFD frequency controller, it is possible to lower the speed of these fans on a continuous scale. For every 20% reduction in speed, the fan's energy consumption is halved. To provide optimum protection for the sensitive electronics

inside a controller, the fan is placed in a separate housing with at least IP65 protection class. This is essential to safeguard reliability in even the most extreme environments.



ECplus and Vplus technology

Our ECplus and Vplus technologies (with permanent magnet motor) combine excellent performance and robust quality with significant energy savings. For that reason, our axial fans ensure a good return on investment and a short payback period.

Why choose Vostermans Ventilation:

LOYAL TO YOU

We care for your specific needs based on our long expertise. In close cooperation with you we secure your business outcomes.

RELIABLE

Since our foundation in the Netherlands in 1952, we maintain our reputation as reliable partner. Our carefully selected global network of independent distributors strive to deliver you dedicated service and expertise.

FUTURE PROOF

Our future proof approach, which combines energy efficiency solutions with robust quality and rigorous testing, is based on a genuine commitment to serve as a trusted partner.

Vostermans Ventilation is a global developer and manufacturer of sustainable axial fans for the agricultural and industrial market. Sustainability is key for Vostermans. Their premium brandlines Multifan and EMI are showcasing the drive for advanced energy efficient fans. The company applies continuous innovation and research in their own motor production facility and in house state of the art R&D department. Vostermans Ventilation, part of Vostermans Companies founded in 1952, is based in Venlo, the Netherlands and operates in USA, China and Malaysia.



YOUR SPECIALIST IN AIR

All rights reserved. Vostermans Companies is not responsible for inaccurate or incomplete data. In case of any questions and / or remarks please contact ventilation@vostermans.com. Subject to alterations 01/2024

Venlo - The Netherlands
Tel. +31 (0)77 389 32 32
ventilation@vostermans.com

Bloomington - USA
Tel. +1 309 827-9798
ventilation@vostermansusa.com

Tmn Klang Jaya - Malaysia
Tel. +60 (0)3 3324 3638
ventilation@vostermansasia.com

Shanghai - China
Tel. +86 21 5290 2889
ventilation@vostermanschina.com