

Universal Fan Motors

The replacement motor for any fan



Mf-Flex Universal Fan Motors

The replacement motor for any fan

The Mf-Flex Universal Fan Motor is an extremely durable replacement motor for agricultural and industrial markets where reliability is key. Vostermans Ventilation products are worldwide well-known for their longevity in harsh environments and extreme reliability. Because of the standard NEMA mounting options, the fan motors are easily interchangeable. All Universal Fan Motors are based on the Totally Enclosed Air Over (TEAO) principle, and are developed and produced in the Netherlands. The 60Hz motors are UL Recognized.



Why choose this motor:

- Suitable for use in harsh environments
- Extremely durable and reliable
- High energy efficiency
- Resistant to extreme corrosive environments
- Compatible and interchangeable with fans by standard NEMA measurements
- 3-year warranty

Features:

- UL Recognition for 60Hz versions
- Water and dust resistant (IP55)
- Insulation Class F
- Only for horizontal mounting (contact our Vostermans support team for vertical mounting possibilities)
- Applicable for belt-driven fans
- Totally Enclosed Air Over (TEAO) motors
- Motor measurements according to NEMA
- 3-phase motors are frequency controllable

Optional available:

- Available in 50Hz and 60Hz
- Motor performance: 1, 1.5 and 2 HP
- Standard built-in thermal protection for 1-phase, optional for 3-phase
- Various mounting supports:
NEMA frame 48C, 56C or 56C face mounted

Applications:

- Agricultural: pigs, poultry and dairy
- Horticultural: greenhouse
- Industrial
- Belt drive and direct drive
- Exhaust and circulation fans



Mf-Flex Universal Fan Motors
available with various mounting options



Mf-Flex Universal Fan Motors
available in 1, 1.5 and 2 HP.



Technical data

Item	Power supply			Amperage	RPM	P ₀ (kW)	P ₀ (HP)	Cos Phi	Service Factor	Service factor amperage
FM0380	1~	60 Hz	208 - 230*	4.9	1710	0.75	1	0.92	1.15	5.4
FM0379	1~	60 Hz	208 - 230*	6.3	1700	1.1	1.5	0.97	1.15	7.3
FM0376	1~	60 Hz	208 - 230*	8.7	1730	1.5	2	0.93	1.15	9.9
FM0443	3~	60 Hz	230 / 460	3.1 / 1.8	1750	0.75	1	0.72	1.15	3.3 / 1.9
FM0384	3~	60 Hz	230 / 460	4.5 / 2.6	1760	1.1	1.5	0.74	1.15	4.9 / 2.7
FM0385	3~	60 Hz	230 / 460	5.4 / 2.9	1740	1.5	2	0.81	1.15	6.1 / 3.3
FM0440	1~	50 Hz	230	5.5	1425	0.75	1	0.87	1.15	5.9
FM0439	1~	50 Hz	230	7.0	1425	1.1	1.5	0.91	1.15	7.8
FM0442	3~	50 Hz	230 / 400	3.5 / 2.0	1455	0.75	1	0.66	1.15	3.7 / 2.15
FM0382	3~	50 Hz	230 / 400	5.1 / 3.0	1465	1.1	1.5	0.66	1.15	5.5 / 3.2
FM0383	3~	50 Hz	230 / 400	5.9 / 3.5	1450	1.5	2	0.75	1.15	6.6 / 3.8

* Motor rating valid for 230V. Applicable within voltage range of 208-230V.

Note: Motors can only be used for fan applications! Motors are totally enclosed air over (TEAO) and can only be applied in the airstream.

Dimensions (inch)

Item	Frame type	Figure	A09	A34	A35	A36	A37	A38	A39	A40	A43	A46	A53	A54	A55	A56	A57	A58	A59	A60	A61	A62	A63	A64	A65
FM0380M6G0135	NEMA 56C Face mounted	1	0.4		12.3	0.6	10.1	7.0	5.6	2.4	0.2	2.2	7.4	7.4			1.4					2.2	2.0	5.9	
FM0380M6G0134	NEMA 56C	2		7.1	12.3	0.6	9.8		5.6	2.4	0.2	2.5	6.4	9.1	6.7	6.7	5.4	1.0	3.0	2.0	4.3	3.5	2.2	2.0	4.5
FM0380M6G0132	NEMA 48C	3		6.8	12.3	0.6	9.8		5.6	2.4	0.2	2.5		8.9	6.2	6.7	5.4	1.0	2.8	2.5	4.3	3.0	2.2	2.0	4.5
FM0379M6G0135	NEMA 56C Face mounted	1	0.4	7.0	12.7	0.6	10.5	7.2	6.0	2.4	0.2	2.2	6.7	9.2			1.4					2.2	2.0	5.9	
FM0379M6G0133	NEMA 56C	2		7.8	12.7	0.6	10.2		6.0	2.4	0.2	2.5		9.3	7.0	7.0	5.4	1.0	3.0	2.8	4.9	3.5	2.2	2.0	4.5
FM0376M6G0135	NEMA 56C Face mounted	1	0.4	7.0	13.5	0.6	11.3	7.2	6.8	2.4	0.2	2.2	6.7	9.2			1.4					2.2	2.0	5.9	
FM0376M6G0133	NEMA 56C	2		7.8	13.5	0.6	10.9		6.8	2.4	0.2	2.5		9.3	7.0	7.0	5.4	1.0	3.0	2.8	4.9	3.5	2.2	2.0	4.5
FM0443M6G0134	NEMA 56C	2		7.2	12.3	0.6	9.8		5.6	2.4	0.2	2.5		6.7	6.4	5.4	1.0	3.0	2.8	4.3	3.5	2.2	2.0	4.5	
FM0443M6G0132	NEMA 48C	3			12.3	0.6	9.8		5.6	2.4	0.2	2.5	6.9		6.2	6.7	5.4	1.0	2.8	2.8	4.3	3.0	2.2	2.0	4.5
FM0384M6G0135	NEMA 56C Face mounted	1	0.4		12.7	0.6	10.5	7.1	6.0	2.4	0.2	2.2	7.7	7.7			1.4					2.2	2.0	5.9	
FM0384M6G0133	NEMA 56C	2		7.8	12.7	0.6	10.2		6.0	2.4	0.2	2.5		7.0	7.0	5.4	1.0	3.0	2.8	4.3	3.5	2.2	2.0	4.5	
FM0385M6G0133	NEMA 56C	2		7.8	12.7	0.6	10.2		6.0	2.4	0.2	2.5		7.0	7.0	5.4	1.0	3.0	2.8	4.3	3.5	2.2	2.0	4.5	
FM0440M6G0134	NEMA 56C	2		7.1	12.3	0.6	9.8		5.6	2.4	0.2	2.5	6.4	9.1	6.7	6.7	5.4	1.0	3.0	2.0	4.3	3.5	2.2	2.0	4.5
FM0440M6G0132	NEMA 48C	3		6.8	12.3	0.6	9.8		5.6	2.4	0.2	2.5		8.9	6.2	6.7	5.4	1.0	2.8	2.5	4.3	3.0	2.2	2.0	4.5
FM0439M6G0133	NEMA 56C	2		7.8	12.7	0.6	10.2		6.0	2.4	0.2	2.5		9.3	7.0	7.0	5.4	1.0	3.0	2.8	4.9	3.5	2.2	2.0	4.5
FM0442M6G0134	NEMA 56C	2		7.2	12.3	0.6	9.8		5.6	2.4	0.2	2.5		6.7	6.4	5.4	1.0	3.0	2.8	4.3	3.5	2.2	2.0	4.5	
FM0442M6G0132	NEMA 48C	3			12.3	0.6	9.8		5.6	2.4	0.2	2.5	6.9		6.2	6.7	5.4	1.0	2.8	2.8	4.3	3.0	2.2	2.0	4.5
FM0382M6G0133	NEMA 56C	2		7.8	12.7	0.6	10.2		6.0	2.4	0.2	2.5		7.0	7.0	5.4	1.0	3.0	2.8	4.3	3.5	2.2	2.0	4.5	
FM0383M6G0133	NEMA 56C	2		7.8	12.7	0.6	10.2		6.0	2.4	0.2	2.5		7.0	7.0	5.4	1.0	3.0	2.8	4.3	3.5	2.2	2.0	4.5	
FM0386M6G0135	NEMA 56C Face mounted	1	0.4	6.7	12.7	0.6	10.5	7.0	6.0	2.4	0.2	2.2					1.4					2.2	2.0	5.9	
FM0386M6G0134	NEMA 56C	2		7.2	12.7	0.6	10.2		6.0	2.4	0.2	2.5		6.7	6.4	5.4	1.0	3.0	2.8	4.3	3.5	2.2	2.0	4.5	
FM0386M6G0132	NEMA 48C	3			12.5	0.6	10.2		6.0	2.4	0.2	2.5	6.9		6.2	5.4	1.0	3.0	2.8	4.3	3.0	2.2	2.0	4.5	

Figure 1: NEMA 56C face mounted

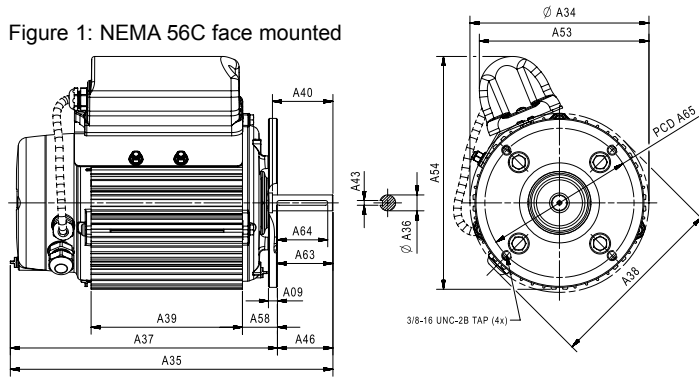


Figure 2: NEMA 56C

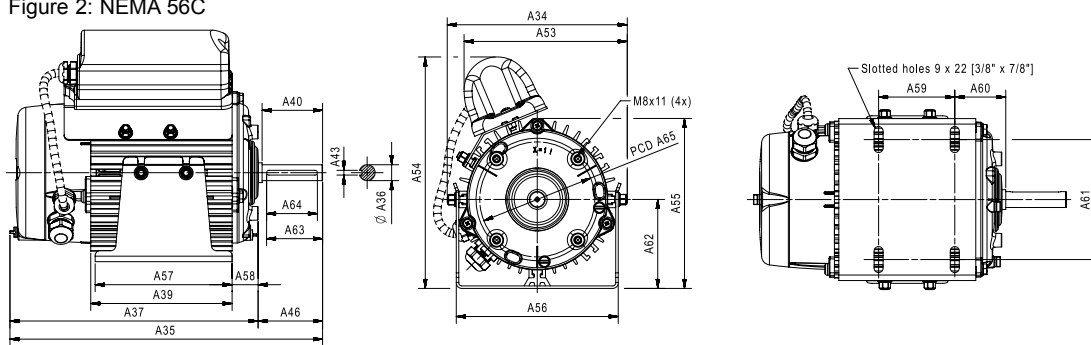
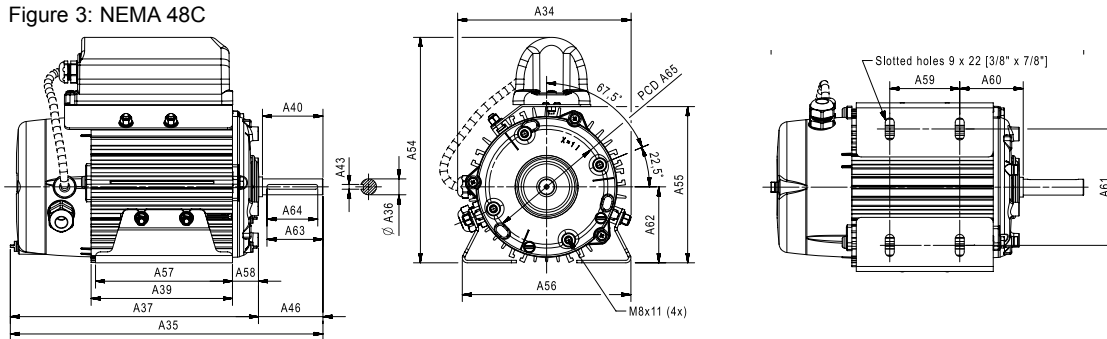


Figure 3: NEMA 48C



Why choose Vostermans Ventilation:

LOYAL TO YOU

We care for your specific needs based on our long expertise. In close cooperation with you we secure your business outcomes.

RELIABLE

Since our foundation in the Netherlands in 1952, we maintain our reputation as reliable partner. Our carefully selected global network of independent distributors strive to deliver you dedicated service and expertise.

FUTURE PROOF

Our future proof approach, which combines energy efficiency solutions with robust quality and rigorous testing, is based on a genuine commitment to serve as a trusted partner.

Vostermans Ventilation is a global developer and manufacturer of sustainable axial fans for the agricultural and industrial market. Sustainability is key for Vostermans. Their premium brandlines Multifan and EMI are showcasing the drive for advanced energy efficient fans. The company applies continuous innovation and research in their own motor production facility and in house state of the art R&D department. Vostermans Ventilation, part of Vostermans Companies founded in 1952, is based in Venlo, the Netherlands and operates in USA, China and Malaysia.



YOUR SPECIALIST IN AIR

All rights reserved. Vostermans Companies is not responsible for inaccurate or incomplete data. In case of any questions and / or remarks please contact ventilation@vostermans.com. Subject to alterations 02/2019

Venlo - The Netherlands
Tel. +31 (0)77 389 32 32
ventilation@vostermans.com

Bloomington - USA
Tel. +1 309 827-9798
ventilation@vostermansusa.com

Tmn Klang Jaya - Malaysia
Tel. +60 (0)3 3324 3638
ventilation@vostermansasia.com

Shanghai - China
Tel. +86 21 5290 2889/2899
ventilation@vostermanschina.com