

Multifan



V-FloFan

Vertical circulation



VOSTERMANS
VENTILATION

YOUR SPECIALIST IN AIR

Multifan V-FloFan

Vertical circulation for a uniform mix of horizontal air layers

The Multifan V-FloFan has been specifically developed for 'Next Generation Growing' (NGG) in the horticultural sector, which aims to create a uniform climate and to generate an air movement layer between the plants as efficiently as possible. The V-FloFan succeeds in these goals by blowing down the warm air from the ridge of a greenhouse or building, helping you save on heating costs. In addition, a constant low airspeed is created close to the ground. This not only improves the greenhouse climate but also helps to improve the living conditions of, for example, poultry.



Why choose this fan

- Results in an active microclimate close to the ground
- For a uniform indoor climate
- Controls the humidity level
- Reduces the energy costs through vertical airflow
- Easy installation
- Easy maintenance
- Extremely durable fan: 3-year warranty



Features

- Aerodynamic shaped conical outlet for optimal vertical airflow
- Reflecting white color for optimal results in greenhouses
- IP55 motor (water and dust resistant)
- Low noise

Applications

- Agricultural: Poultry
- Horticultural: Greenhouse

Options available

- Mounting brackets for easy installation



V-FloFan

Options available: mounting bracket

Technical data single-phase

Article	ø (cm)	Power supply			(n) RPM	P _m (W)	I _{nom} (A)	Q _v (m³/h)	SFP @0Pa (W/1000m³/h)	dB(A) [*]	Control options ^{**}
		~	V	Hz							
T6E40A2M81160	40	1~	230V	50Hz	950	165	1,0	5.050	32,7	45	E / T
T6E40K0M81160	40	1~	240V	60Hz	1.130	205	0,9	5.200	39,4	47	E / T
T6E40K1M81160	40	1~	120V	60Hz	1.140	215	2,0	5.200	41,3	47	E / T

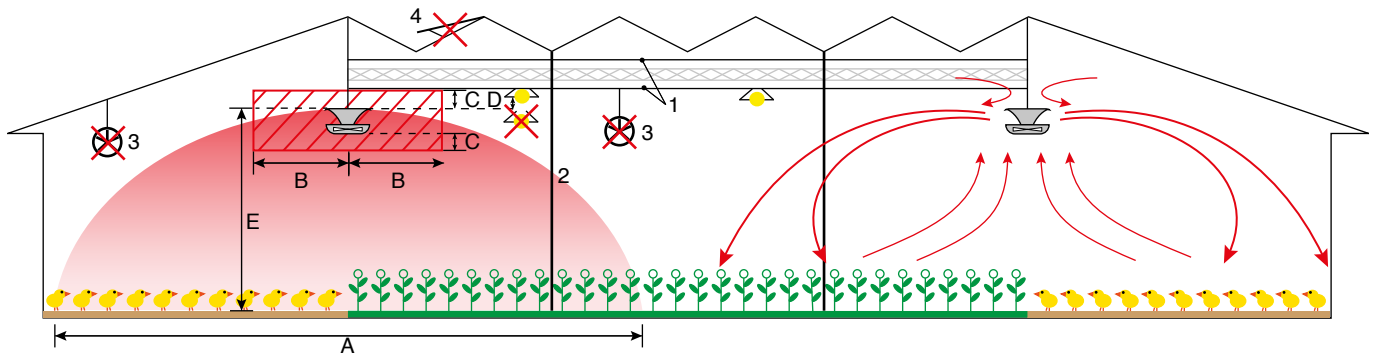
Technical data three-phase

Article	ø (cm)	Power supply			(n) RPM	P _m (W)	I _{nom} (A)		Q _v (m³/h)	SFP @0Pa (W/1000m³/h)	dB(A) [*]	Control options ^{**}
		~	V (Δ / Y)	Hz			Δ	Y				
T6D40A0M81160	40	3~	230/400V	50Hz	955	155	0,9	0,5	5.050	30,7	45	T
T6D40K2M81160	40	3~	240/420V	60Hz	1.135	190	0,8	0,45	5.200	36,5	47	T
T6D40K3M81160	40	3~	265/460V	60Hz	1.145	200	0,9	0,5	5.300	37,7	47	T

* Sound pressure level (LpA) at 7 meter distance from the center of the fan

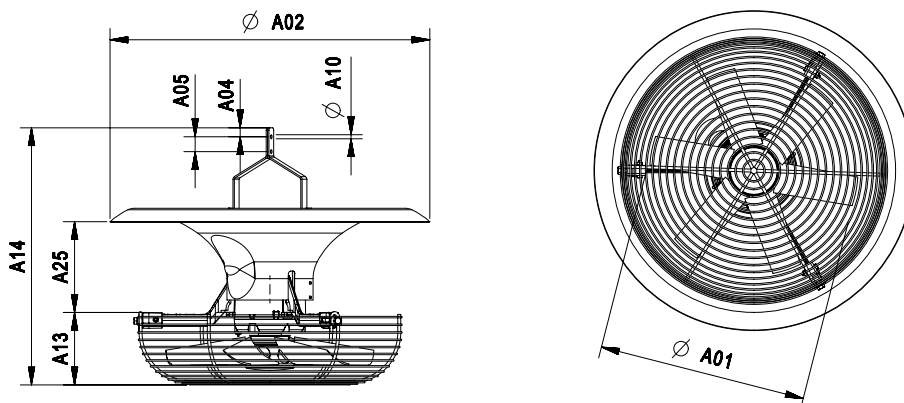
** Transformer Voltage Control (T), Frequency Control (F), Electronic / Triac / Solid State Voltage Control (E)

Installation guidelines



A	+/- 18 m	1	Screens
B	Minimum 2 m	2	Pillar
C	Minimum 0,5 m	3	Do not combine horizontal fans with the V-FloFan
D	> 0 m	4	Other air flows can influence the effect of the V-FloFan
E	We recommend a max. installation height of 5 m for optimal results		

Dimensions (mm)

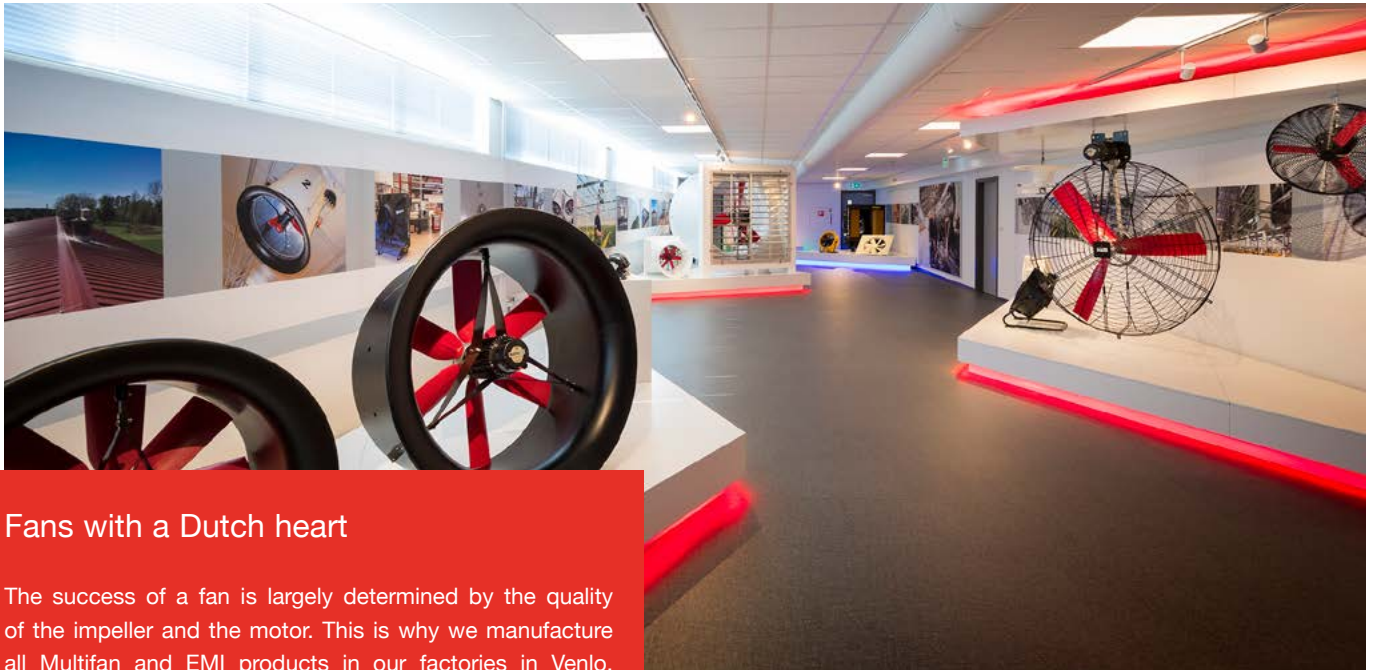


ø (cm)	A01	A02	A04	A05	A10	A13	A14	A25
40	420	650	18	30	8	146	539	182

Service

As a family business, we believe it is important to build long-term relationships with our customers. That is why we attach great importance to our customers being helped quickly and effectively when a problem arises. The QR code on the back of the fan motor is an ideal tool for this. By scanning this QR code, you get insight into the most important fan specifications and a list of spare parts.

In addition, we offer many extras online to support you. This includes specific product information and our online product selector, in which you can select the right fan for your specific situation. You can always contact us via www.vostermans.com/contact with questions, or follow us through our social media channels to stay up to date with the latest news.



Fans with a Dutch heart

The success of a fan is largely determined by the quality of the impeller and the motor. This is why we manufacture all Multifan and EMI products in our factories in Venlo, the Netherlands. It also allows us to further develop the manufacturing process efficiently and guarantee the highest quality standards. Because we get large fan components, such as the housing, from the customer's region, we are able to keep the price of our fans as competitive as possible.

Why choose Vostermans Ventilation:

LOYAL TO YOU

We care for your specific needs based on our long expertise. In close cooperation with you we secure your business outcomes.

RELIABLE

Since our foundation in the Netherlands in 1952, we maintain our reputation as reliable partner. Our carefully selected global network of independent distributors strive to deliver you dedicated service and expertise.

FUTURE PROOF

Our future proof approach, which combines energy efficiency solutions with robust quality and rigorous testing, is based on a genuine commitment to serve as a trusted partner.

Vostermans Ventilation is a global developer and manufacturer of sustainable axial fans for the agricultural and industrial market. Sustainability is key for Vostermans. Their premium brandlines Multifan and EMI are showcasing the drive for advanced energy efficient fans. The company applies continuous innovation and research in their own motor production facility and in house state of the art R&D department. Vostermans Ventilation, part of Vostermans Companies founded in 1952, is based in Venlo, the Netherlands and operates in USA, China and Malaysia.



YOUR SPECIALIST IN AIR

All rights reserved. Vostermans Companies is not responsible for inaccurate or incomplete data. In case of any questions and / or remarks please contact ventilation@vostermans.com. Subject to alterations 03/2021

Venlo - The Netherlands
Tel. +31 (0)77 389 32 32
ventilation@vostermans.com

Bloomington, IL- USA
Tel. +1 309 827-9798
ventilation@vostermansusa.com

Tmn Klang Jaya - Malaysia
Tel. +60 (0)3 3324 3638
ventilation@vostermansasia.com

Shanghai - China
Tel. +86 21 5290 2889/2899
ventilation@vostermanschina.com