

Multifan



Tube Fans

The power of flexibility



VOSTERMANS
VENTILATION

YOUR SPECIALIST IN AIR

Multifan Tube Fans

A fan for every tube, duct or chimney

With the extensive line of standard Multifan Tube Fans, we offer a wide range of reliable and efficient fans. Do you need a customized size? No problem! We are able to deliver a customized fan between 300 mm and 963 mm. Thanks to our flexible range, we are always able to offer the right fan solution for every ventilation need. Multifan Tube Fans are optional available with the energy efficient ECplus technology.



Why choose this fan

- Able to offer customized fan sizes for your application
- Materials resistant to extreme environments
- Extreme durable fan with a long lifetime
- Easy installation and maintenance
- High performances and energy efficient
- 3-year warranty



Applications

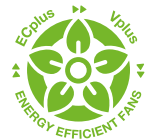
- Agricultural: Pig, Poultry and Dairy
- Horticulture: Greenhouse
- Industrial

Features

- For horizontally or vertically mounting
- Suitable for ambient temperatures up to 40 °C
- Water and dust resistant fan motor (IP55)
- Low noise level

Options available

- On request suitable for ambient temperatures up to 70 °C
- Tube mounting fastener set
- Energy saving ECplus technology
- Tube Fans for high pressure applications



30 - 92 cm Tube Fans

Optional energy efficient ECplus Fan technology

Technical data single-phase

Article	ø (cm)	Power supply			(n) RPM	P _{in} (W)	I _{nom} (A)	Q _v (m³/h)						SFP @0Pa (W/1000m³/h)	dB(A) *	Control options **
		~	V	Hz				0 Pa	30 Pa	50 Pa	80 Pa	100 Pa	150 Pa			
P4E30CAM11100	30	1	230	50	1.415	100	0,5	2.300	2.050	1.700	-	-	-	43,2	47	E / T
P4E35C1M11100	35	1	230	50	1.375	140	0,6	3.400	3.000	2.600	-	-	-	40,8	51	E / T
P4E35AAM11100	35	1	230	50	1.455	150	0,8	3.600	3.300	3.050	-	-	-	40,9	51	-
P4E40CAM11100	40	1	230	50	1.415	200	0,9	4.900	4.450	4.100	3.350	-	-	40,7	54	E / T
P4E45CAM11100	45	1	230	50	1.405	300	1,5	6.550	6.000	5.600	4.900	-	-	46,4	56	E / T
P6E50AAM11100	50	1	230	50	950	170	0,9	5.600	4.800	4.150	-	-	-	29,6	49	E / T
P4E50CAM11100	50	1	230	50	1.370	400	1,8	8.300	7.600	7.100	6.300	5.600	-	48,0	58	E / T
P6E56AAM11100	56	1	230	50	910	280	1,3	8.350	7.250	6.350	-	-	-	33	50	E / T
P6E63AAM11100	63	1	230	50	935	500	2,2	11.500	10.600	9.850	8.500	-	-	43,1	58	E / T
P6E71AAM11100	71	1	230	50	930	520	2,3	13.500	12.300	11.200	9.350	-	-	38,2	56	E / T
P6E82AAM11100	82	1	230	50	915	530	2,4	16.200	14.200	12.700	10.300	-	-	32,7	62	E / T
P6E92AAM11100	92	1	230	50	910	590	2,7	17.300	15.600	14.200	11.400	-	-	34,2	66	E / T

Technical data three-phase

Article	ø (cm)	Power supply			(n) RPM	P _{in} (W)	I _{nom} (A)		Q _v (m³/h)								SFP @0Pa (W/1000m³/h)	dB(A) *	Control options **
		~	V (Δ / Y)	Hz			Δ	Y	0 Pa	30 Pa	50 Pa	80 Pa	100 Pa	150 Pa	200 Pa				
P4D30AAM11100	30	3	230/400	50	1.435	110	0,5	0,3	2.350	2.100	1.750	-	-	-	-	44,5	48	T / F	
P4D35AAM11100	35	3	230/400	50	1.440	140	0,6	0,4	3.550	3.200	2.950	-	-	-	-	39,3	50	T / F	
P4D40AAM11100	40	3	230/400	50	1.405	210	0,8	0,4	4.950	4.500	4.200	3.450	-	-	-	41,5	56	T / F	
P4D45AAM11100	45	3	230/400	50	1.370	280	1	0,6	6.450	5.900	5.450	4.750	-	-	-	43,2	56	T / F	
P6D50AAM11100	50	3	230/400	50	965	210	0,9	0,5	6.550	5.700	4.950	-	-	-	-	31,8	48	F	
P4D50AAM11100	50	3	230/400	50	1.415	410	1,6	0,9	8.600	8.000	7.550	6.750	6.100	-	-	47,8	60	T / F	
P6D56AAM11100	56	3	230/400	50	955	290	1,1	0,6	8.750	7.750	7.000	-	-	-	-	32,6	51	F	
P4D56AAM11100	56	3	230/400	50	1.455	950	3,6	2,1	13.100	12.500	12.000	11.300	10.900	9.400	-	72,7	65	F	
P6D63AAM11100	63	3	230/400	50	965	520	2,3	1,3	11.900	11.000	10.400	9.150	8.100	-	-	43,9	59	F	
P4D63AAM11100	63	3	230/400	50	1.450	1.000	3,5	2,0	14.700	14.000	13.600	12.800	12.200	10.200	-	65,6	69	F	
P4D63ABM11100	63	3	230/400	50	1.460	1.400	5,2	3	17.900	17.100	16.600	15.800	15.300	13.900	12.000	77,1	69	F	
P6D71AAM11100	71	3	230/400	50	945	690	2,5	1,4	15.300	14.200	13.300	11.800	10.500	-	-	44,9	59	F	
P4D71AAM11100	71	3	230/400	50	1.435	1.150	3,9	2,2	17.500	16.800	16.300	15.600	15.000	13.300	-	65,1	69	F	
P4D71ABM11100	71	3	230/400	50	1.450	1.650	5,6	3,3	21.400	20.600	20.000	18.900	18.200	16.500	14.300	76,3	69	F	
P6D82AAM11100	82	3	230/400	50	920	920	3,0	1,8	20.200	18.400	17.300	15.500	14.300	-	-	45,3	62	F	
P6D92AAM11100	92	3	230/400	50	945	760	2,7	1,6	21.100	19.400	17.900	15.200	12.900	-	-	36,2	66	F	

* Sound pressure level (LpA) at 7 meter distance from the center of the fan

** Transformer Voltage Control (T), Frequency Control (F), Electronic / Triac / Solid State Voltage Control (E)

Dimensions (mm)

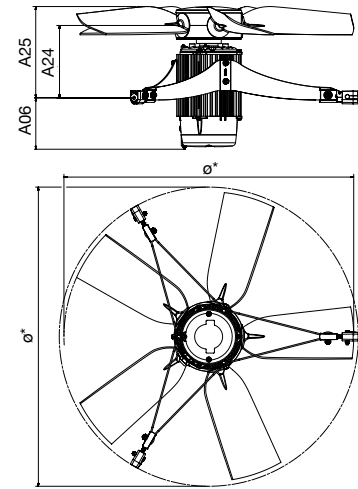
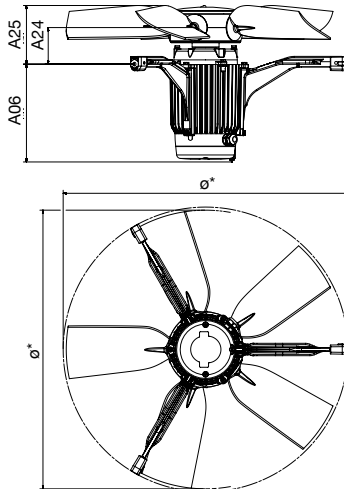
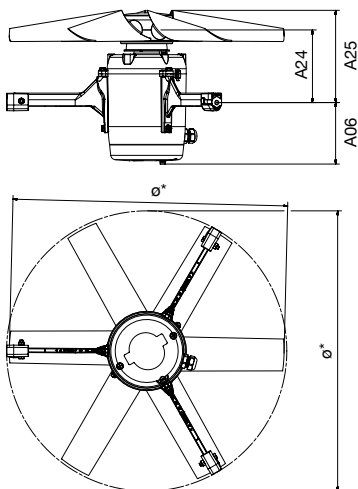


Image 1

Image 2

Image 3

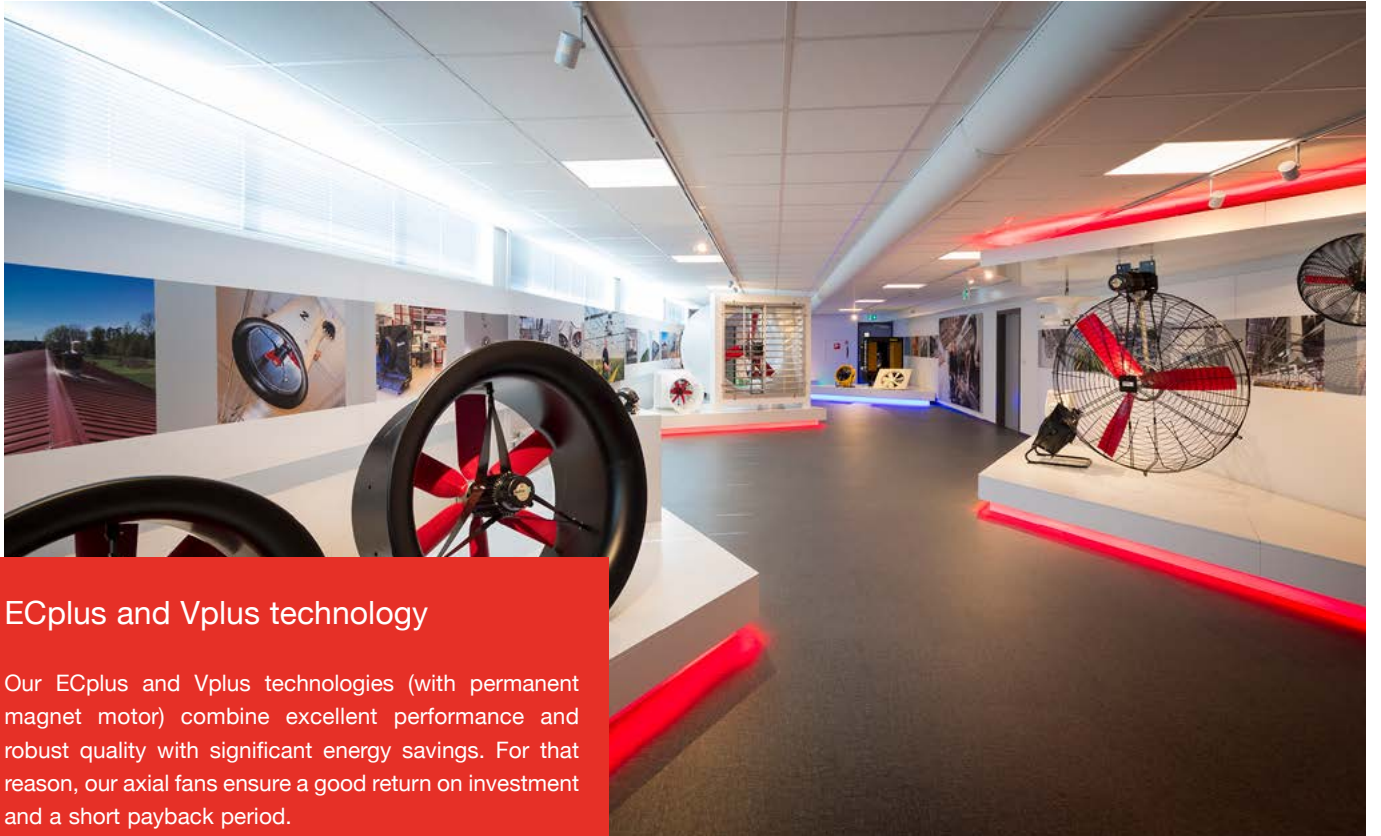
ø (cm) *	Image	A06	A24	A25
30 - 50	1	112	132	Min. 163 Max. 170
50 - 92	2	221	82	Min. 128 Max. 140
40 - 92	3	Min. 100 Max. 146	Min. 143 Max. 177	Min. 174 Max. 234

* Mounting supports and impellers are adjustable to your demand.

Save more energy

Our standard fans are also available in extra an energy-efficient variant. With the help of the MFD frequency controller, it is possible to lower the speed of these fans on a continuous scale. For every 20% reduction in speed, the fan's energy consumption is halved. To provide optimum protection for the sensitive electronics

inside a controller, the fan is placed in a separate housing with at least IP65 protection class. This is essential to safeguard reliability in even the most extreme environments.



ECplus and Vplus technology

Our ECplus and Vplus technologies (with permanent magnet motor) combine excellent performance and robust quality with significant energy savings. For that reason, our axial fans ensure a good return on investment and a short payback period.

Why choose Vostermans Ventilation:

LOYAL TO YOU

We care for your specific needs based on our long expertise. In close cooperation with you we secure your business outcomes.

RELIABLE

Since our foundation in the Netherlands in 1952, we maintain our reputation as reliable partner. Our carefully selected global network of independent distributors strive to deliver you dedicated service and expertise.

FUTURE PROOF

Our future proof approach, which combines energy efficiency solutions with robust quality and rigorous testing, is based on a genuine commitment to serve as a trusted partner.

Vostermans Ventilation is a global developer and manufacturer of sustainable axial fans for the agricultural and industrial market. Sustainability is key for Vostermans. Their premium brandlines Multifan and EMI are showcasing the drive for advanced energy efficient fans. The company applies continuous innovation and research in their own motor production facility and in house state of the art R&D department. Vostermans Ventilation, part of Vostermans Companies founded in 1952, is based in Venlo, the Netherlands and operates in USA, China and Malaysia.



YOUR SPECIALIST IN AIR

All rights reserved. Vostermans Companies is not responsible for inaccurate or incomplete data. In case of any questions and / or remarks please contact ventilation@vostermans.com. Subject to alterations 08/2023

Venlo - The Netherlands
Tel. +31 (0)77 389 32 32
ventilation@vostermans.com

Bloomington, IL- USA
Tel. +1 309 827-9798
ventilation@vostermansusa.com

Tmn Klang Jaya - Malaysia
Tel. +60 (0)3 3324 3638
ventilation@vostermansasia.com

Shanghai - China
Tel. +86 21 5290 2889/2899
ventilation@vostermanschina.com