



Loading Dock Fan

Purge a trailer easily with the Loading Dock Fan

Easily cool and ventilate a truck trailer or loading dock with our high velocity Multifan Loading Dock Fan. The focused airstream is ideal for rapidly equalizing the temperature inside the trailer with the facility temperature, and removing heat, gas and odor in a couple of minutes. Thanks to the swing arm, the fan can be positioning precisely for maximum effectiveness, while keeping the fan safely out of the way of operators and forklift trucks.



Why choose this fan:

- Heavy duty motor for long lifetime
- Flexible design: Suspension arm with 3 pivot points
- Focused airstream for fast purging
- Materials resistant against corrosive climates
- Easy installation and maintenance
- 3-year warranty on the fan



Features:

- Variable speed capable (Triac or Transformer)
- Rated IP55 for outdoor or wash-down duty
- Suitable for ambient temperatures -13°F up to 104°F
- Motor Class F insulation for longevity
- Include 10ft. power cord

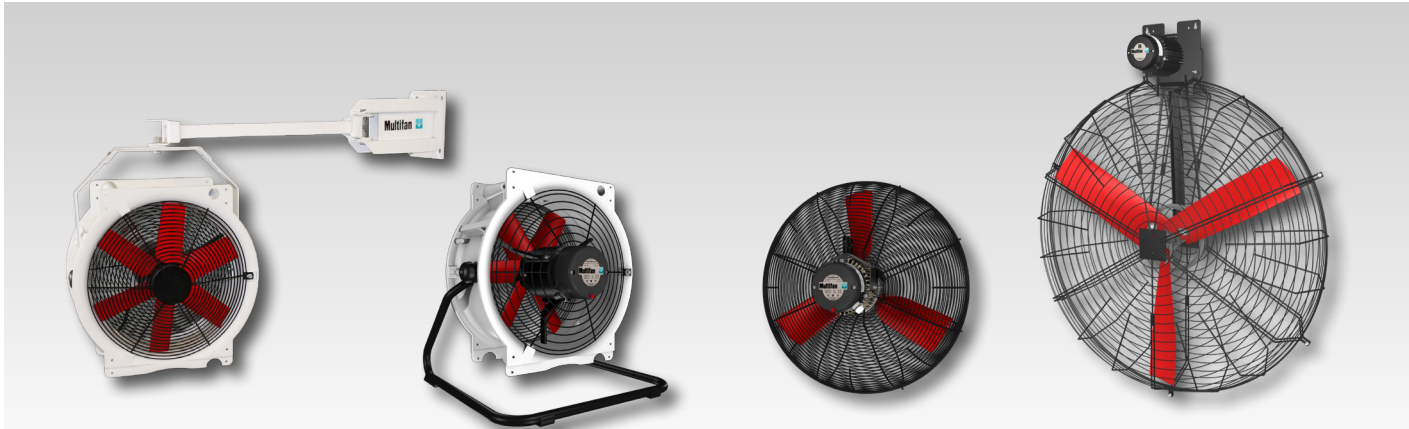
Options:

- Available in 16" and 20"
- Other power supplies on request

Other fan solutions

Our circulation fans can be used in a wide range of areas and in the most demanding environments. Ideal for warehouses, loading docks, shipping areas and a variety of industrial applications. Contact your Multifan dealer or our Vostermans Ventilation Customer Service Team for additional support.

Other fan solutions for your loading dock:



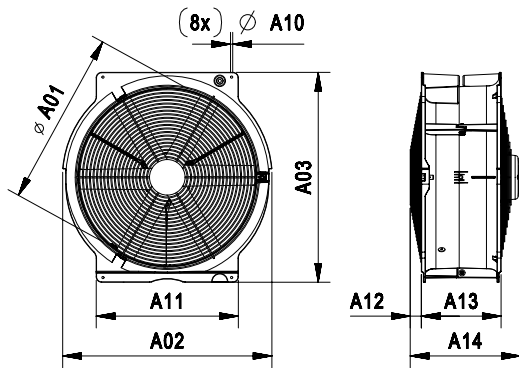
The 16" and 20" Loading Dock Fans are optionally available as Mobile Fans

Use 20", 24" 36" or 50" Basket Fans with optional wall brackets for more air volume

Technical data

Power supply			Size	Item	P_{in} (W)	I_{nom} (A)	CFM	Controllable
1~	120V	60Hz	16"	B4E40TDF	280	2.4	3,240	Triac / Transformer
1~	120V	60Hz	20"	B4E50TDF	460	3.9	4,620	Triac / Transformer

Fan dimensions



ϕ (inch)	A01	A02	A03	A10	A11	A12	A13	A14
16"	16 1/2	20 1/4	20 1/2	1/4	14 1/4	1	8 1/2	12 1/4
20"	20 1/2	24 1/2	24 1/2	1/4	16 1/2	1 5/16	9 1/4	12 3/4

Why choose Vostermans Ventilation:

LOYAL TO YOU

We care for your specific needs based on our long expertise. In close cooperation with you we secure your business outcomes.

RELIABLE

Since our foundation in the Netherlands in 1952, we maintain our reputation as reliable partner. Our carefully selected global network of independent distributors strive to deliver you dedicated service and expertise.

FUTURE PROOF

Our future proof approach, which combines energy efficiency solutions with robust quality and rigorous testing, is based on a genuine commitment to serve as a trusted partner.

Vostermans Ventilation is a global developer and manufacturer of sustainable axial fans for the agricultural and industrial market. Sustainability is key for Vostermans. Their premium brandlines Multifan and EMI are showcasing the drive for advanced energy efficient fans. The company applies continuous innovation and research in their own motor production facility and in house state of the art R&D department. Vostermans Ventilation, part of Vostermans Companies founded in 1952, is based in Venlo, the Netherlands and operates in USA, China and Malaysia.



YOUR SPECIALIST IN AIR

All rights reserved. Vostermans Companies is not responsible for inaccurate or incomplete data. In case of any questions and / or remarks please contact ventilation@vostermans.com. Subject to alterations 08/2019

Venlo - The Netherlands
Tel. +31 (0)77 389 32 32
ventilation@vostermans.com

Bloomington - USA
Tel. +1 309 827-9798
ventilation@vostermansusa.com

Tmn Klang Jaya - Malaysia
Tel. +60 (0)3 3324 3638
ventilation@vostermansasia.com

Shanghai - China
Tel. +86 21 5290 2889/2899
ventilation@vostermanschina.com